
emmegi

en #3

A Aluminium
S Steel
P PVC



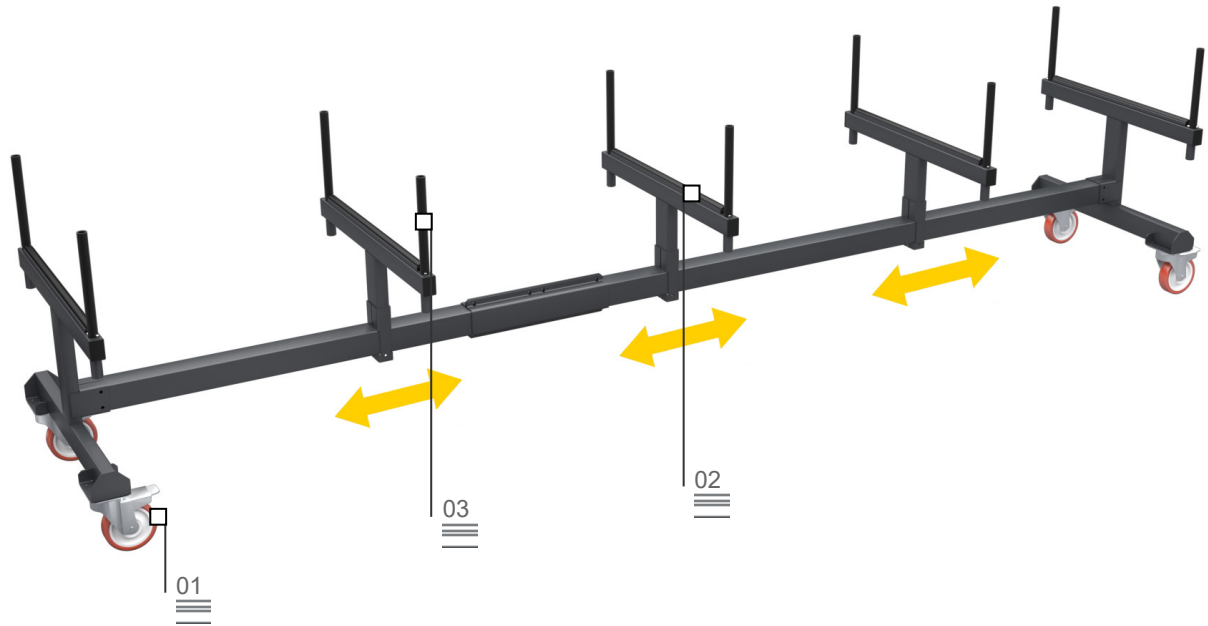
Swivelling castors 01



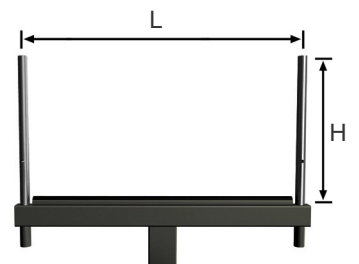
Anti-slip PVC contact surface 02

Bar

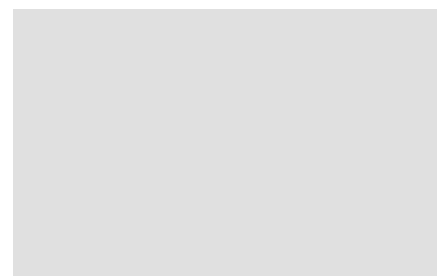
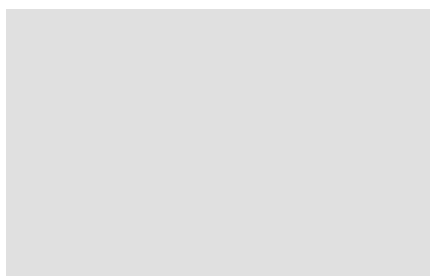
Trolley for bar handling/storage



A correct flow of materials, whether semi-finished or finished products, or parts in the assembly phase, plays an important role in rationalizing and optimizing the production cycle. The Emmegi Logistics line offers companies a concrete solution to all storage, handling and assembly problems. Bar is a large trolley for handling and storing profile bars during the cutting phase.



Height-adjustable round holder bars 03



The images are only given for illustrative purposes

Bar

Trolley for bar handling/storage

01

Swivelling castors

The trolley has 4 swivelling castors with brakes which ensure great mobility and easy handling. The brakes enable it to be locked in position in the various work areas.

02

Anti-slip PVC contact surface

The contact surfaces are coated with soft anti-slip PVC which ensures that the frame is supported securely when it is put into position.

03

Height-adjustable round holder bars

System of supports on which the bars may be placed.

TECHNICAL CHARACTERISTICS

| | |
|--------------------------------------------------------|----------|
| Soft anti-slip PVC contact surfaces | • |
| Nest-storage of unloaded trolleys | • |
| Width of round holder bars L (mm) | 790 |
| Clamping frame height H (mm) | 270 |
| 4 swivelling castors, 2 with brake (mm) | ø 150 mm |
| Adjustable central mounts | • |
| Removable round holder bars with two available heights | • |
| Load capacity [kg] | 600 |

2021/01/01

www.emmegi.com

The images are only given for illustrative purposes