



emmegi

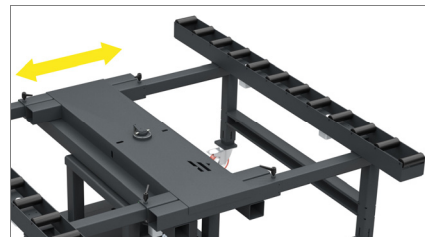
A Aluminium
S Steel
P Pvc

en #3



Rotation

01

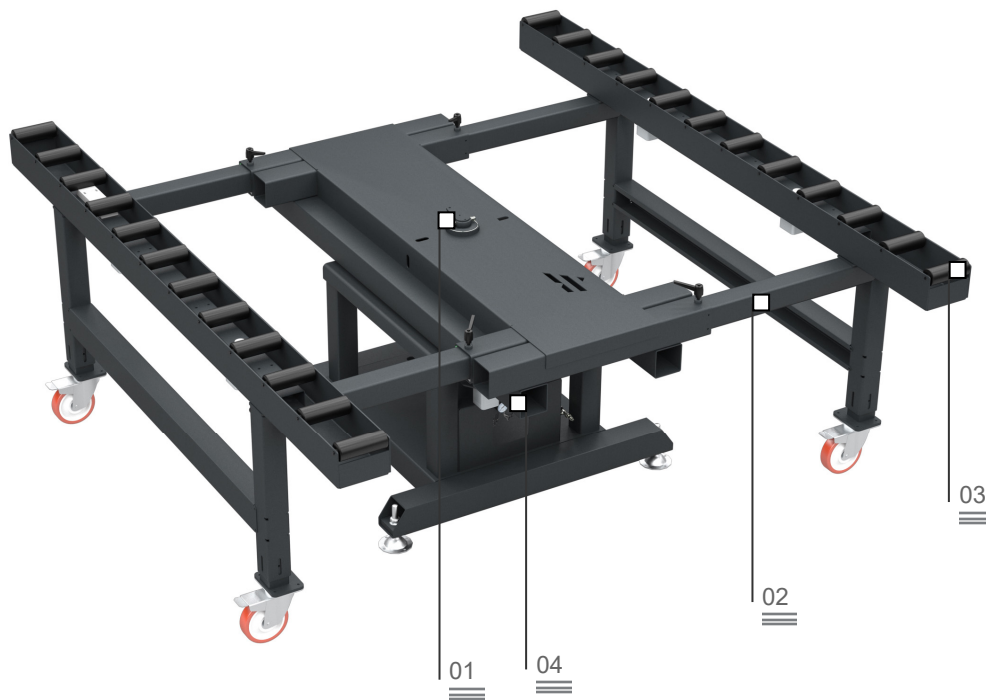


Extension

02

Spin Bench

Assembly bench



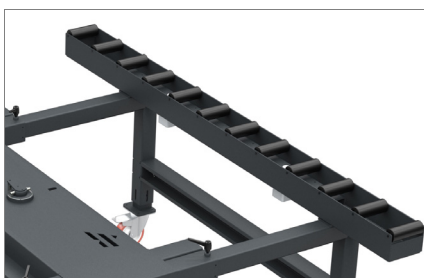
Modular bench for assembly and in-line handling of curtain wall frames. It is provided with two roller tracks covered with soft PVC sheathing; the distance between the two tracks is adjustable according to the width of the curtain wall section. A pneumatically operated system allows clamping the rollers during the work phases. The entire bench can be rotated by 360° in order to facilitate the assembly and sealing of the curtain wall; the angular position is clamped pneumatically.

Roller conveyor

03

Pneumatic control system

04



The images are only given for illustrative purposes

Spin Bench

Assembly bench

01 Rotation

The entire bench can be rotated by 360° about the central structure in order to facilitate assembly and sealing of the curtain wall frame. The angular position is clamped pneumatically, through a manual valve.

02 Extension

SPIN BENCH can be extended from 1000 mm to 2500 mm. After setting the position of the roller tracks, the roller conveyor can be clamped in position with clamping handles, thus ensuring a high degree of flexibility.

03 Roller conveyor

The curtain wall frames are rested on roller tracks, 160 mm wide, covered with soft PVC sheathing, thus minimizing the effort required by the operator.

04 Pneumatic control system

A pneumatic system operated by a manual valve allows the operator to clamp rotation of certain rollers on the roller tracks so that the assembly operations can be carried out on the curtain wall frame.

WORK SURFACES

Length, roller conveyor (mm)	2.500
Min. width, roller conveyor (mm)	1.000
Max. width, roller conveyor with moveable central support (mm)	2.500

CHARACTERISTICS

Pneumatic roller clamping system	•
Height (mm)	940 ÷ 1.000
Air consumption (NI/min)	5
Weight (kg)	460
Loading capacity (kg)	450

2021/04/01

www.emmegi.com

The images are only given for illustrative purposes