

Bar

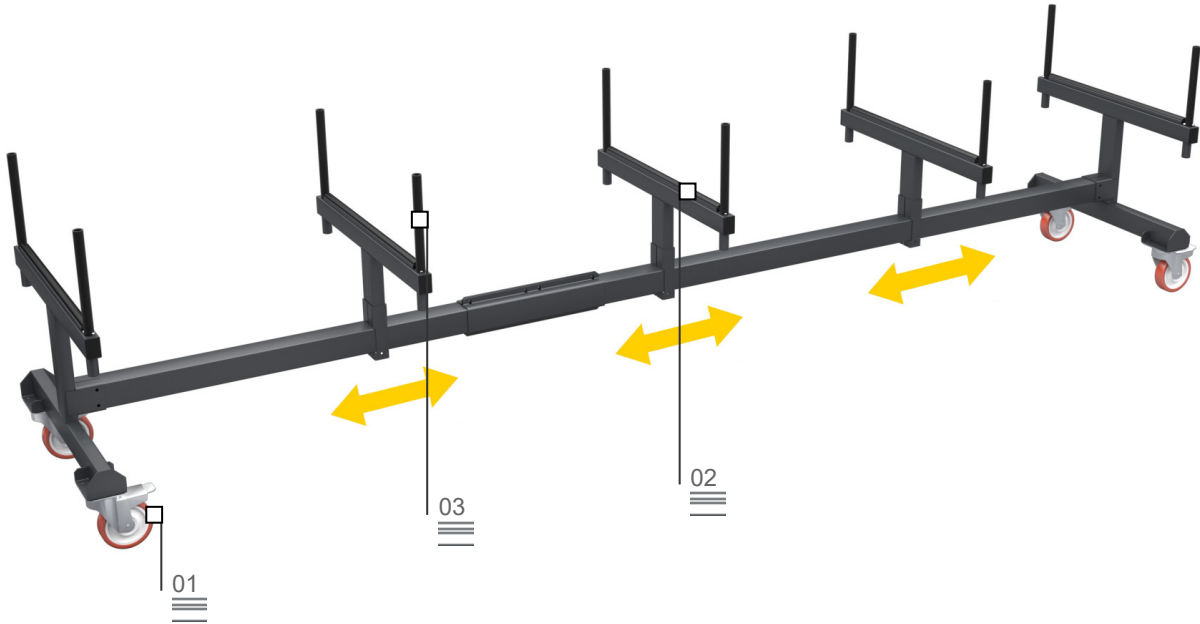
Trolley for bar handling/storage

Swivelling castors

01

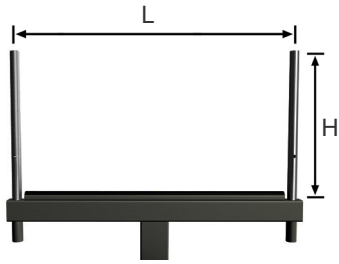
Anti-slip PVC contact surface

02



A correct flow of materials, whether semi-finished or finished products, or parts in the assembly phase, plays an important role in rationalizing and optimizing the production cycle. The Tekna Logistics line offers companies a concrete solution to all storage, handling and assembly problems.

Bar is a large trolley for handling and storing profile bars during the cutting phase.



Height-adjustable round holder bars

03



The pictures are provided by way of illustration only

Bar

Trolley for bar handling/storage

01

Swivelling castors

The trolley has 4 swivelling castors with brakes which ensure great mobility and easy handling. The brakes enable it to be locked in position in the various work areas.

02

Anti-slip PVC contact surface

The contact surfaces are coated with soft anti-slip PVC which ensures that the frame is supported securely when it is put into position.

03

Height-adjustable round holder bars

System of supports on which the bars may be placed.

TECHNICAL CHARACTERISTICS

Soft anti-slip PVC contact surfaces	
Nest-storage of unloaded trolleys	
Width of round holder bars L (mm)	790
Clamping frame height H (mm)	270
4 swivelling castors, 2 with brake (mm)	ø 150 mm
Adjustable central mounts	
Removable round holder bars with two available heights	
Load capacity [kg]	600

2021/01/01

www.tekna.it

The pictures are provided by way of illustration only